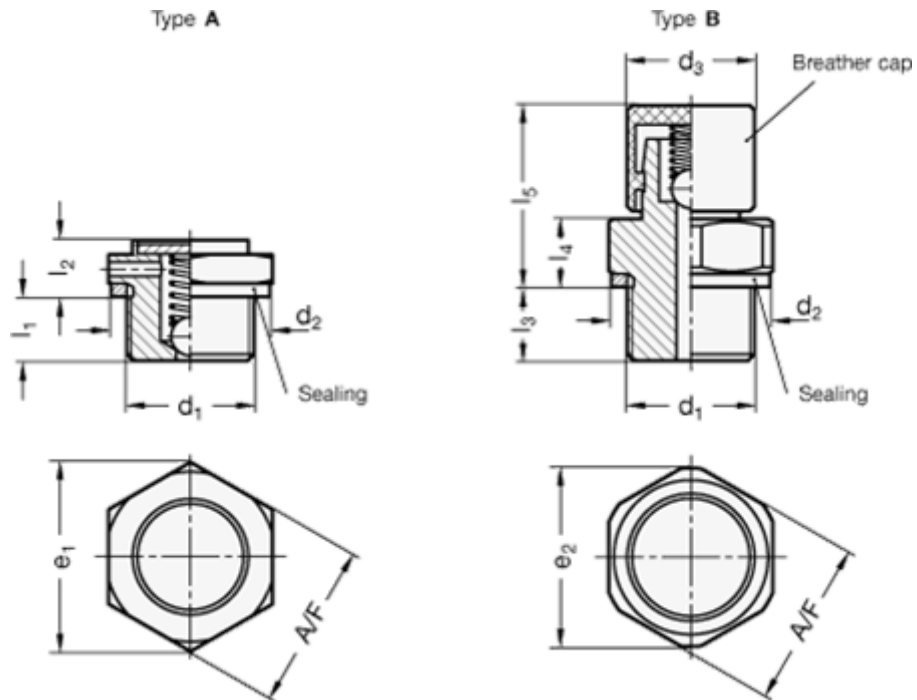


Data Sheet



Article number: 20883G12160AMS
 Description: E+G Udluftningsfilter - G 1/2"

Measures



	= -	l2	= 11
	= -	l3	= 8
A/F	= 22	l4	= 8
Air passage l/min.	= -	l5	= 19.5
d2	= 26	Opening pressure in mbar = Min. 160 - Max. 240. mbar	
d3	= 13	Thread d1 = G 1/2"	
e	= 29		
l1	= 8.5		